

LA7837, 7838

Sample Application Circuits for 14" Color TV

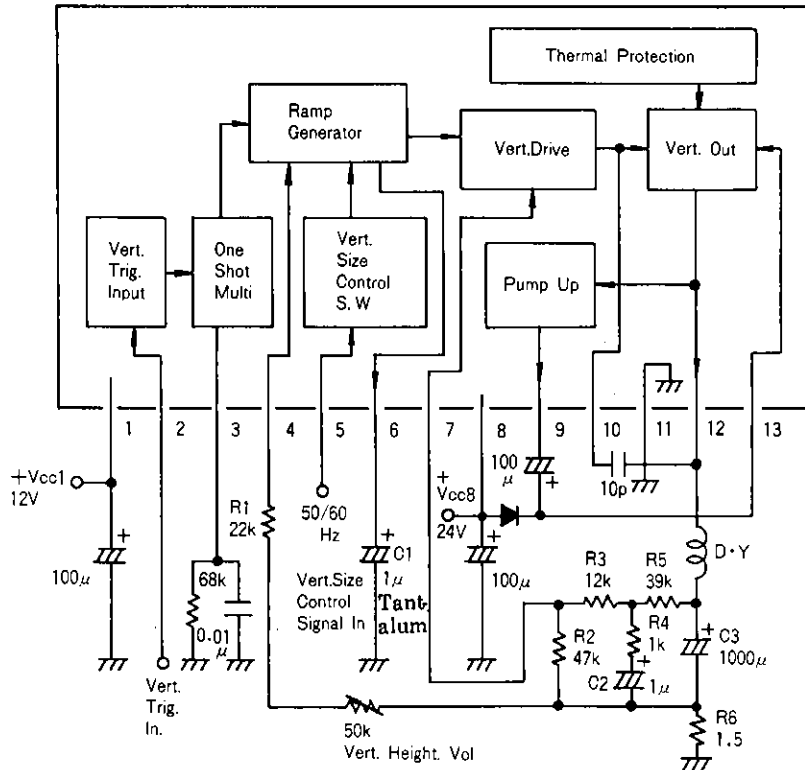


Fig.1 +V_{CC1}, 12V

Unit (resistance:Ω, capacitance:F)

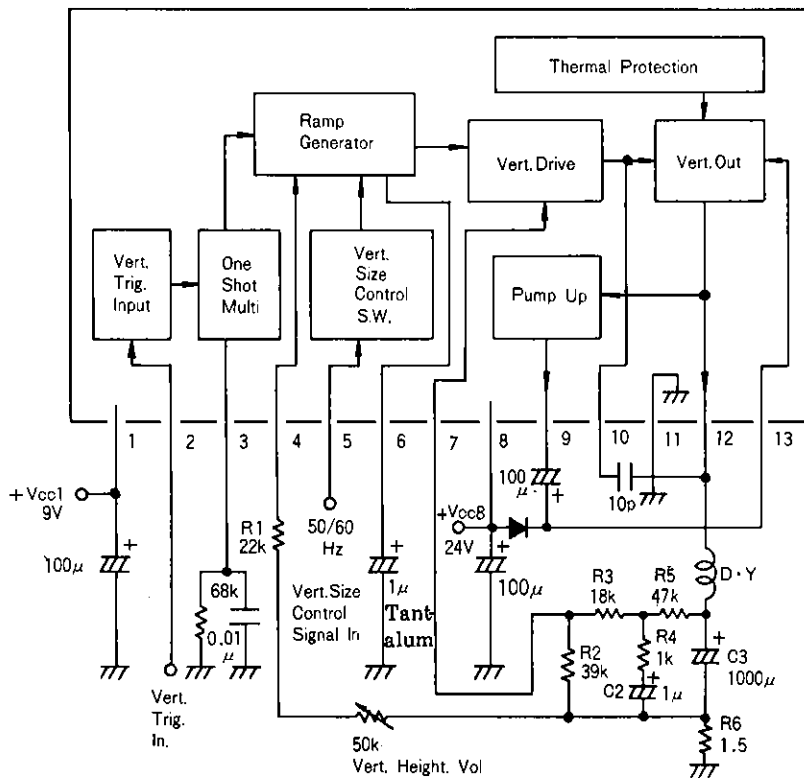


Fig.2 +V_{CC1}, 9V

Unit (resistance:Ω, capacitance:F)

LA7837, 7838

Sample Application Circuit for 14" Display (Retrace Time $\approx 300\mu\text{s}$)

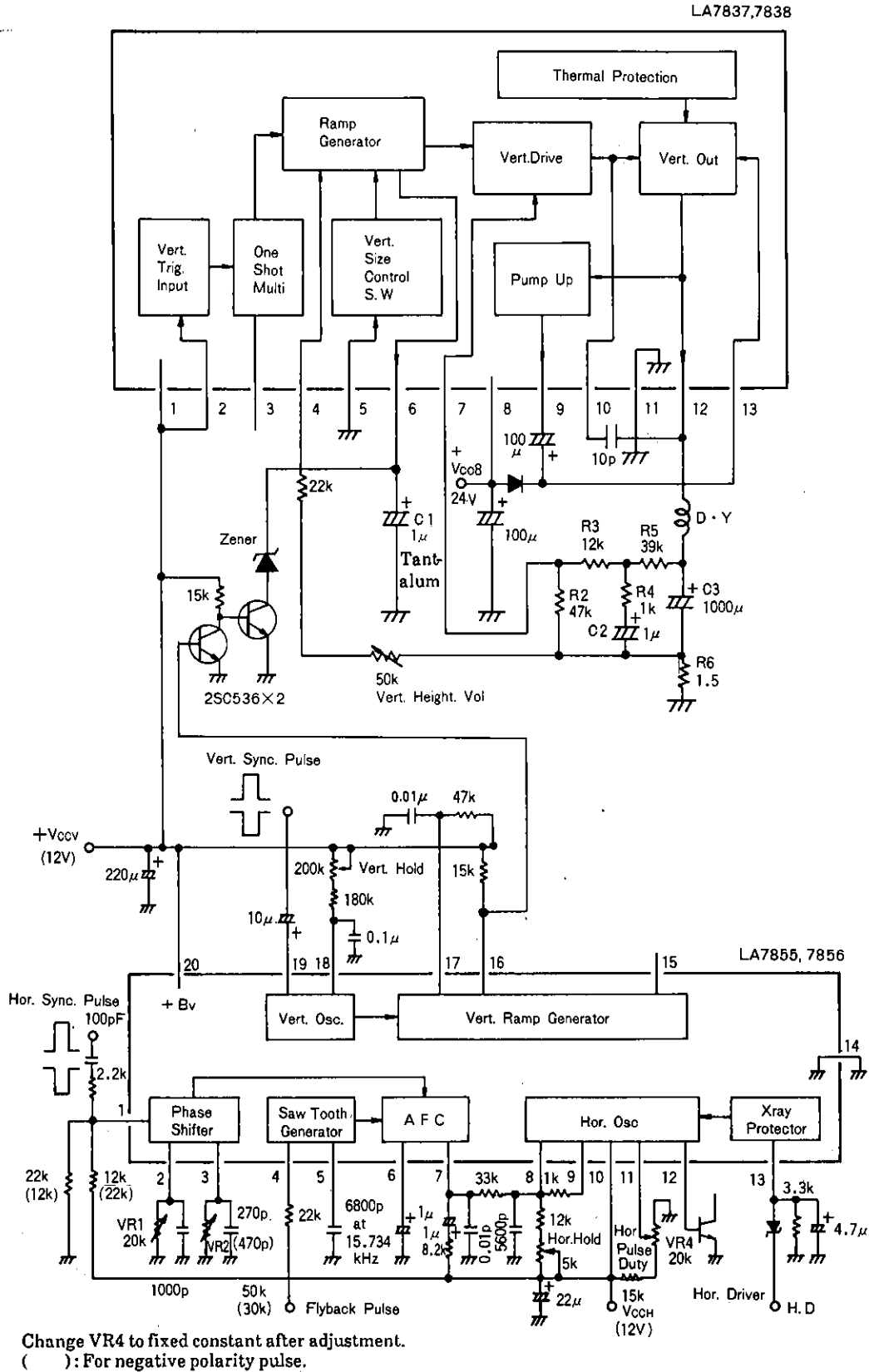


Fig.3

Unit (resistance: Ω , capacitance:F)